



DEVIKRUPA ELECTRONICS

1st Floor, Raj Avenue, 17, Maninagar Society, Opp. Gopal Tower,
Maninagar, AHMEDABAD - 380 008. GUJARAT, INDIA.
Phone : +91 79 2545 0400 **Fax** : +91 79 2546 9555
Email : sales@devikrupa.com **Web** : www.devikrupa.com



Specifications of Din (M) 7/8 SF RF (C16-J-7/8"SF) Connector

1. Din (M) 7/8 SF RF (C16-J-7/8"SF) RF Connector is in accordance with IEC60169-16: 1982
2. Male interface screw thread: M29*1.5
3. Material and plating:

Name of part	Material	Plating	Thickness of plating
Shell	Brass (HPb59-1)	Nickel plated	2μ
Connecting nut	Brass (HPb59-1)	Nickel plated	2μ
Probe	Brass (HPb59-1)	Silver plated	2μ
Inner conductor	Brass (HPb59-1)	Silver plated	2μ
Sealing	Silicone rubber		
Guide	Brass (HPb59-1)	Nickel plated	2μ
Insulator	PTEF (SFX-1)		

- 4 Working environment : Working temperature : -40~+85°
Relative moisture : 90%~95% (Temperature: 40±2°C)

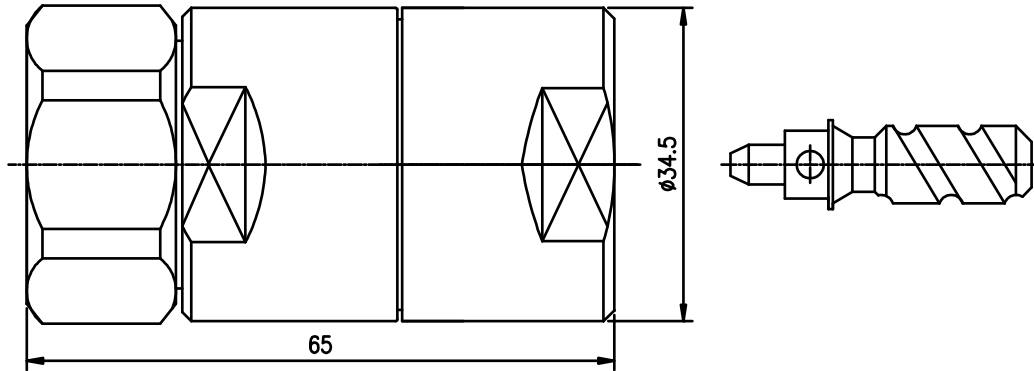


DEVIKRUPA ELECTRONICS

1st Floor, Raj Avenue, 17, Maninagar Society, Opp. Gopal Tower,
 Maninagar, AHMEDABAD - 380 008. GUJARAT, INDIA.
Phone : +91 79 2545 0400 **Fax** : +91 79 2546 9555
Email : sales@devikrupa.com **Web** : www.devikrupa.com



5. Dimensions:



6 Mechanical characteristics:

Impedance(Ω)		50
Contact resistance (m Ω)	Inner conductor	$\leq 0.4\text{m}\Omega$
	Outer conductor	$\leq 0.2\text{m}\Omega$
Insulation resistance(M Ω)		$\geq 10000\text{M}\Omega$
Withstanding voltage AC(V/min)		$\geq 4000\text{V}$
VSWR(0 ~ 2GHz)		$\leq 1.10(0\sim 2\text{GHz})$
Water-proof		IP68
Durability		500

7. When results tested by different analyzers are different, the HP testing device should be adopted as criteria.