



DEVIKRUPA ELECTRONICS

1st Floor, Raj Avenue, 17, Maninagar Society, Opp. Gopal Tower,
Maninagar, AHMEDABAD - 380 008. GUJARAT, INDIA.
Phone : +91 79 2545 0400 **Fax** : +91 79 2546 9555
Email : sales@devikrupa.com **Web** : www.devikrupa.com



Specifications of Din (M)7/8 RF Connector

1. Din (M)7/8 RF Connector is in accordance with IEC60169-16: 1982
2. Male interface screw thread: M29*1.5
3. Material and plating

Name of part	Material	Plating	Thickness of plating
Shell	Brass (HPb59-1)	Nickel plated	7μ
Insert hole	Bronze(QSn6.5-0.1)	Silver plated	≥5μ
Sealing	Silicone rubber		
Inner conductor	Bronze(QSn6.5-0.1)	Silver plated	≥5μ
Connecting nut	Brass (HPb59-1)	Nickel plated	7μ
Guide	Brass (HPb59-1)	Nickel plated	7μ
Insulator	PTEF (SFX-1)		
Clamp	Brass (HPb59-1)	Nickel plated	7μ
Stop ring	Bronze(QSn6.5-0.1)		

- 4 Working environment : Working temperature : -40~+85°
Relative moisture : 90%-95% (Temperature: 40±2°C)
Atmospheric pressure: (70~106)KPa

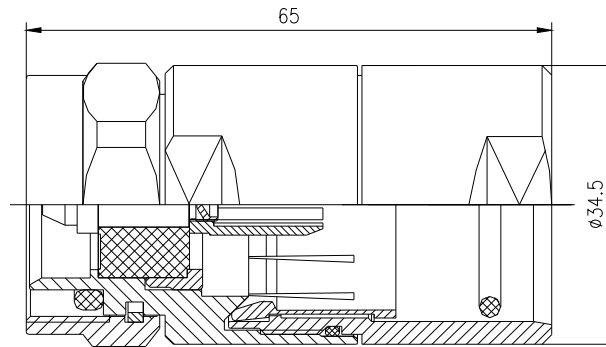


DEVIKRUPA ELECTRONICS

1st Floor, Raj Avenue, 17, Maninagar Society, Opp. Gopal Tower,
Maninagar, AHMEDABAD - 380 008. GUJARAT, INDIA.
Phone : +91 79 2545 0400 **Fax** : +91 79 2546 9555
Email : sales@devikrupa.com **Web** : www.devikrupa.com



5. Dimensions:



6 .Mechanicalcharacteristics

Contact resistance (m Ω)	Inner conductor	≤ 0.4
	Outer conductor	≤ 0.25
Insulation resistance (M Ω)		$\geq 10^4$
Withstanding voltage AC(V/min)		4000
VSWR(0 ~ 2GHz)		≤ 1.1

7 .When results tested by different analyzers are different should adopt the HP testing device as criteria.