



# DEVIKRUPA ELECTRONICS

1<sup>st</sup> Floor, Raj Avenue, 17, Maninagar Society, Opp. Gopal Tower,  
Maninagar, AHMEDABAD - 380 008. GUJARAT, INDIA.  
**Phone** : +91 79 2545 0400 **Fax** : +91 79 2546 9555  
**Email** : sales@devikrupa.com **Web** : www.devikrupa.com



## Specifications of Din (M) 1/2" RF Connector

1. Din (M) 1/2" RF Connector is in accordance with IEC60169-4: 1975
2. Interface screw thread: M29x1.5
3. Material and plating

Name of part	Material	Plating	Thickness of plating
Shell	Brass (HPb59-1)	Nickel plated	5 $\mu$
Connecting nut	Brass (HPb59-1)	Nickel plated	5 $\mu$
Outer conductor	Brass (HPb59-1)	Silver plated	$\geq 5\mu$
Inner conductor	Bronze(QSn6.5-0.1)	Silver plated	$\geq 5\mu$
Preventive ring	Brass (HPb59-1)	Nickel plated	5 $\mu$
Collar	Brass (HPb59-1)	Silver plated	$\geq 5\mu$
Sealing	Silicon rubber		
Probe	Brass (HPb59-1)	Silver plated	$\geq 5\mu$
Guide	Brass (HPb59-1)	Nickel plated	5 $\mu$
Insulator	PTEF (SFX-1)		
Clamp	Brass (HPb59-1)	Nickel plated	5 $\mu$

- 4 Working environment : Working temperature : -40~+85°  
Relative moisture : 90%-95% ( Temperature: 40 $\pm$ 2°C )  
Atmospheric pressure: (70~106)KPa

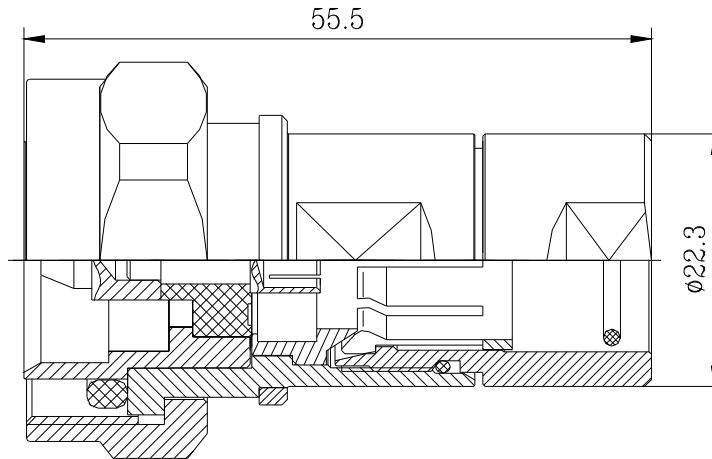


# DEVIKRUPA ELECTRONICS

1<sup>st</sup> Floor, Raj Avenue, 17, Maninagar Society, Opp. Gopal Tower,  
Maninagar, AHMEDABAD - 380 008. GUJARAT, INDIA.  
**Phone** : +91 79 2545 0400 **Fax** : +91 79 2546 9555  
**Email** : sales@devikrupa.com **Web** : www.devikrupa.com



## 5 Dimensions:



## 6 .Mechanicalcharacteristics

Contact resistance (mΩ)	Inner conductor	≤0.4
	Outer conductor	≤0.2
Insulation resistance(MΩ)		≥10 <sup>4</sup>
Withstanding voltage AC(V/min)		4000
VSWR(0 ~ 2GHz)		≤1.1

7. When results tested by different analyzers are different should adopt the HP testing device as criteria.